









# Frequency Converter

- Single Phase to Single Phase
- Three-Phase to Single Phase
- Single Phase to Three Phases
- Three-Phase to Three Phases

Shenzhen Anzhiya technology Co., LTD.



## FEATURES

-  | Voltage Stability
-  | Frequency Stability
-  | Suitable For Aging Test
-  | Internal Resistance Equals Zero
-  | Adjustable Within a Certain Range
-  | The Voltage Waveform Is a Pure Sine Wave

## INFORMATION

|   |   |
|---|---|
| 1 | The ultrahigh precision Frequency converter/Frequency Conversion Power Supply series is widely used in many kinds of professional fields.   |
| 2 | Provide customers with a systematic solution to the power supply. the consideration of the electric environment, optimization of load collocation, matching of power supply selection, design of conforming to requirements, excelsior and highly efficient manufacture, timely and perfect maintenance, etc., all of which can fully meet customers' requirements. |
| 3 | Variable frequency power source outputs the alternating current of utility power as the pure sine wave by means of AC→DC→AC conversion. The output frequency and voltage are adjustable within a certain range.   |
| 4 | AC power source is different from AC speed regulating controller used for motor speed regulation and common AC voltage stabilized power source.   |
| 5 | The ideal AC power source features stabilized frequency, stabilized voltage, zero internal resistance, and pure sine wave voltage waveform (no distortion).   |
| 6 | Variable frequency power source is very close to the ideal AC power source.   |
| 7 | Therefore, the developed countries tend to use the variable frequency power source as the standard power source, so as to provide the electric devices the most excellent power-supplying environment, which is convenient to objectively test the technical performance of the electric devices.   |
| 8 | The variable frequency power source mainly consists of two types: Linear Amplifying and SPWM Switching.   |

## MAIN APPLCAITION

|   |                                 |
|---|---------------------------------|
| 1 | Engineering control             |
| 2 | Scientific research             |
| 3 | Charge of storage battery       |
| 4 | Communication                   |
| 5 | Electric power DC screen system |

## SPECIFICATION (IPS-FC68) 3-PHASES INPUT 3-PHASES OUTPUT

| Model                | 68005 | 6802 | 6803                        | 6805 | 6810     | 6820                        | 6830 | 6845 | 6860 | 68100 |
|----------------------|-------|------|-----------------------------|------|----------|-----------------------------|------|------|------|-------|
| Rated Capacity (KVA) | 0.5   | 2    | 3                           | 5    | 10       | 20                          | 30   | 45   | 60   | 100   |
| Circuit Mode         |       |      |                             |      | IGBT/PWM |                             |      |      |      |       |
| AC Input             |       |      | Three-phase 220V, 50Hz/60Hz |      |          | Three-phase 380V, 50Hz/60Hz |      |      |      |       |
| AC Output            |       |      |                             |      |          |                             |      |      |      |       |
| AC Output            |       |      | Range                       |      |          | Three phase                 |      |      |      |       |
| Voltage              |       |      | Low Range                   |      |          | 0V ~ 150V                   |      |      |      |       |

|                          |         |            |       |       |     |  |           |      |      |      |      |
|--------------------------|---------|------------|-------|-------|-----|--|-----------|------|------|------|------|
|                          |         | High Range |       |       |     |  | 0V ~ 300V |      |      |      |      |
| Frequency                |         |            |       |       |     | 40~499.9HZ can be setting  |           |      |      |      |      |
| Max<br>Current           | 0V-150V | 4.2A       | 16.8A | 25A   | 42A | 84A  | 168A      | 250A | 375A | 500A | 834A |
|                          | 0V-300V | 2.1A       | 8.4A  | 12.5A | 21A | 42A  | 84A       | 125A | 188A | 250A | 417A |
| Frequency Stability Rate |         |            |       |       |     | $\leq \pm 0.1\%$   |           |      |      |      |      |
| Load Stability Rate      |         |            |       |       |     | $\pm 0.5\%$  |           |      |      |      |      |
| Waveform Distortion      |         |            |       |       |     | $\leq 2\%$ (linear load)   |           |      |      |      |      |
| Indication Resolution    |         |            |       |       |     |  |           |      |      |      |      |
| Digit Frequency          |         |            |       |       |     | 4 digit resolution 0.1Hz   |           |      |      |      |      |
| Digit Voltage            |         |            |       |       |     | 4 digit resolution 0.1V  |           |      |      |      |      |
| Digit Current            |         |            |       |       |     | 4 digit resolution below 4A: 0.001A above 4A: 0.01A  |           |      |      |      |      |
| Digit Power              |         |            |       |       |     | 4 digit resolution below 200W: 0.1W above 200W: 1W   |           |      |      |      |      |
| Protector                |         |            |       |       |     | Input no fuse switch, output fuse switch, electronics circuit speed detect the over voltage, over current, over load, over temperature, short circuit and automatic jump protection and alarm. |           |      |      |      |      |
| Cooling                  |         |            |       |       |     | Forced fan cooling   |           |      |      |      |      |
| Environment              |         |            |       |       |     |  |           |      |      |      |      |
| Operate Temperature      |         |            |       |       |     | 0°C ~ 45°C   |           |      |      |      |      |
| Related Humidity         |         |            |       |       |     | 0 ~ 90% (non condensing )  |           |      |      |      |      |

1

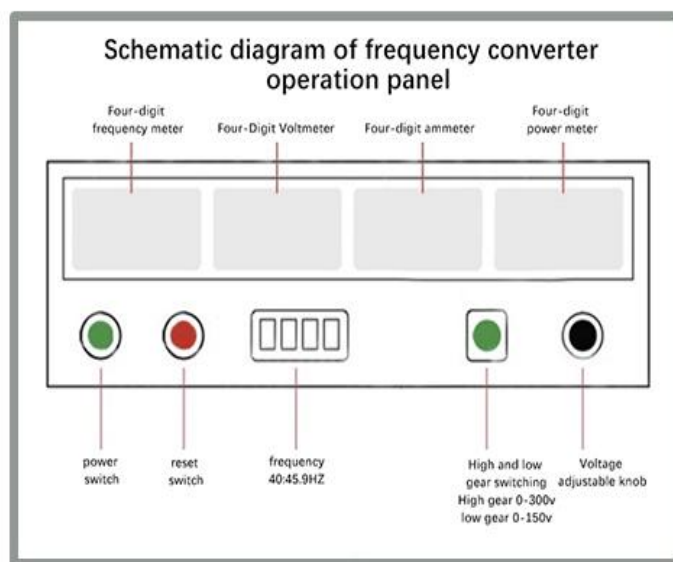
## Product & Factory Show Details



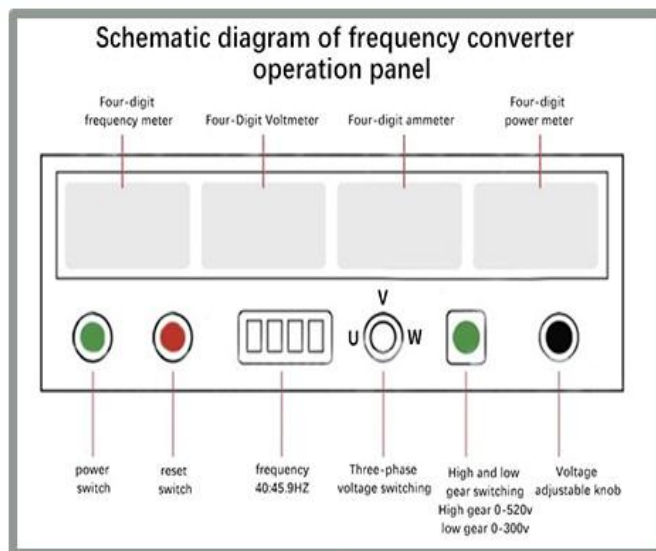


Shenzhen Anzhiya Technology Co., Ltd. is headquartered in Guangming District, Shenzhen. It has been committed to the research, development, production and sales of test power supplies, test instruments and test equipment for more than ten years. Its products are widely used in household appliances, photoelectric lighting, electronic digital, power and electrical, scientific research and education, energy vehicles, ships and railways, aerospace and other industries.

## 2 Product & Panel Show Details-Single Phase Output



## 3 Product & Panel Show Details-Three-Phase Output

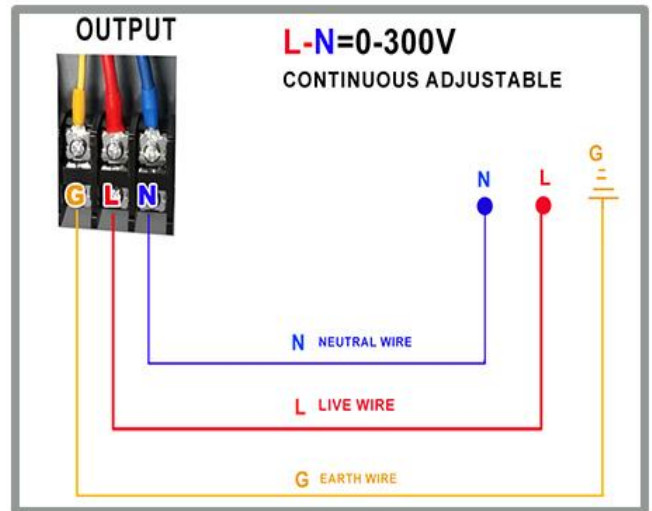
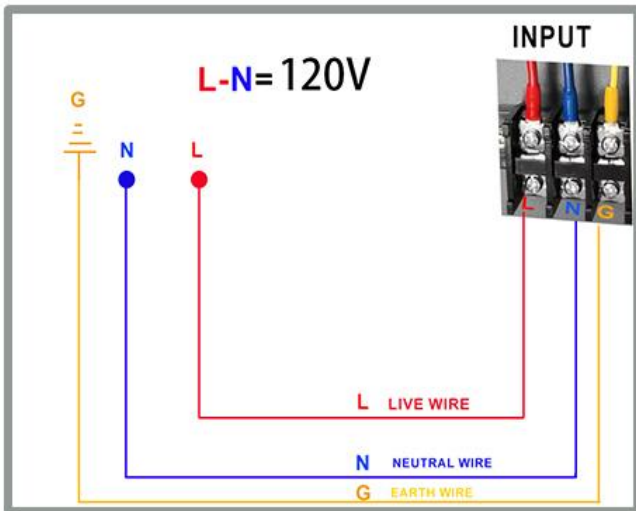


# 4

## Single-Phase 120VAC Input, Single-Phase 0-300VAC OUTPUT

### INPUT Wire Connection

### OUTPUT Wire Connection

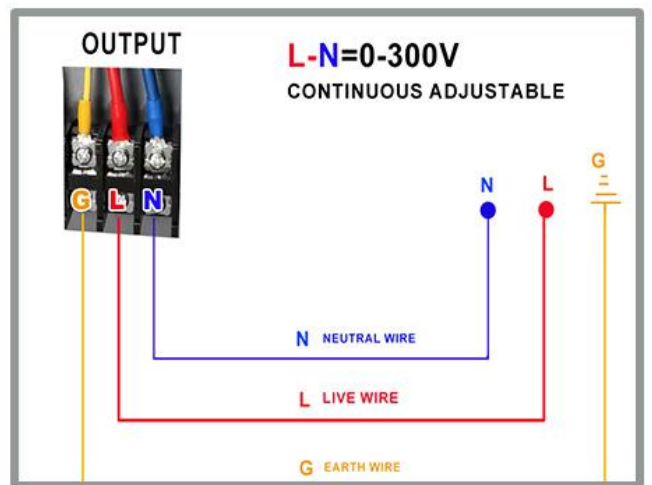
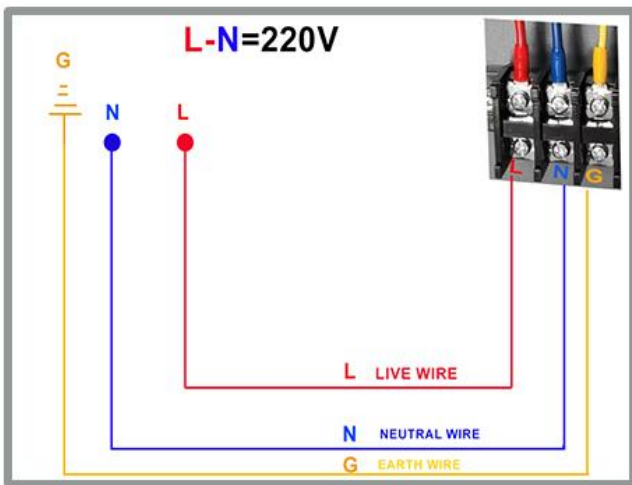


# 5

## Single-Phase 220VAC Input, Single-Phase 0-300VAC OUTPUT

### INPUT Wire Connection

### OUTPUT Wire Connection

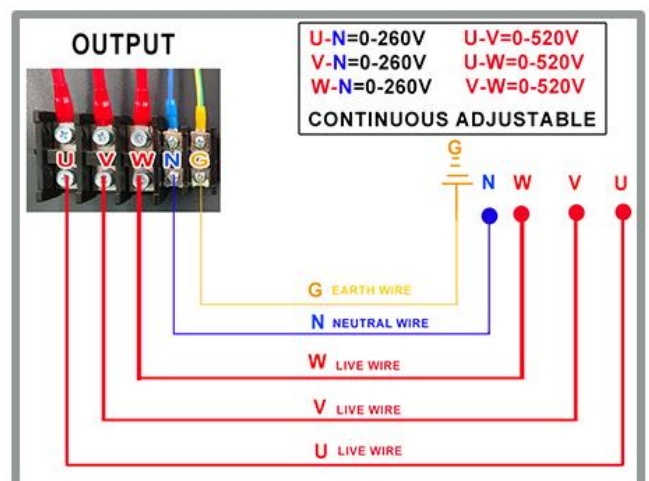
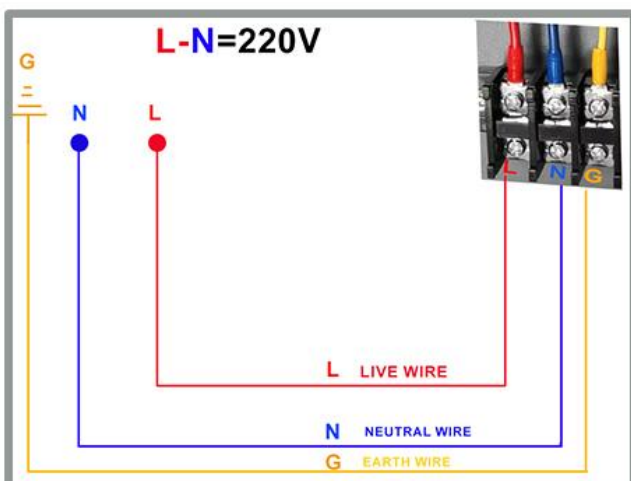


# 6

## Single-Phase 220VAC Input, Three-Phase 0-520VAC OUTPUT

### INPUT Wire Connection

### OUTPUT Wire Connection

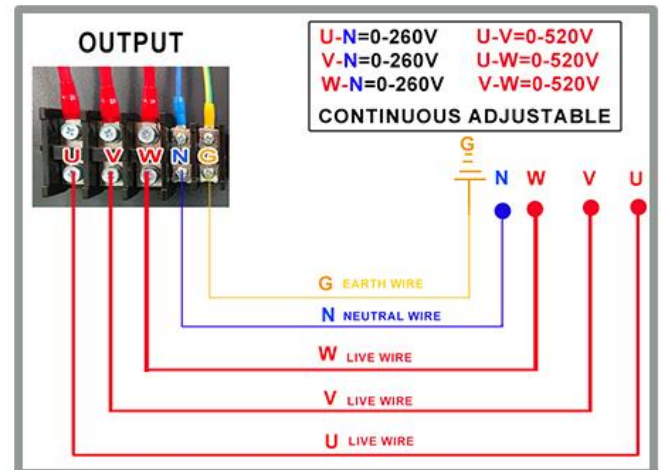
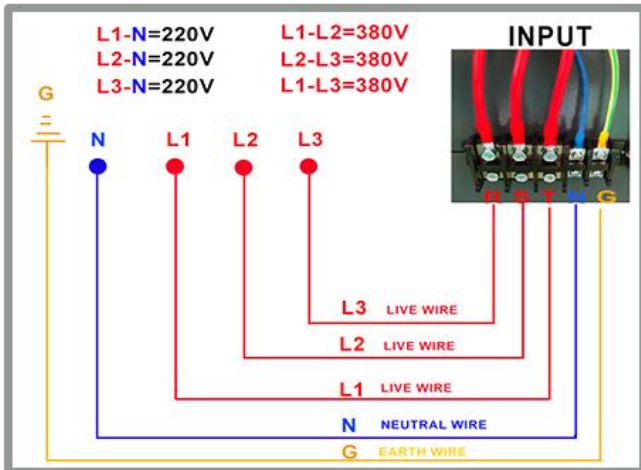


# 7

## Three-Phase 380VAC/450VAC Input, Three-Phase 0-520VAC OUTPUT

### INPUT Wire Connection

### OUTPUT Wire Connection

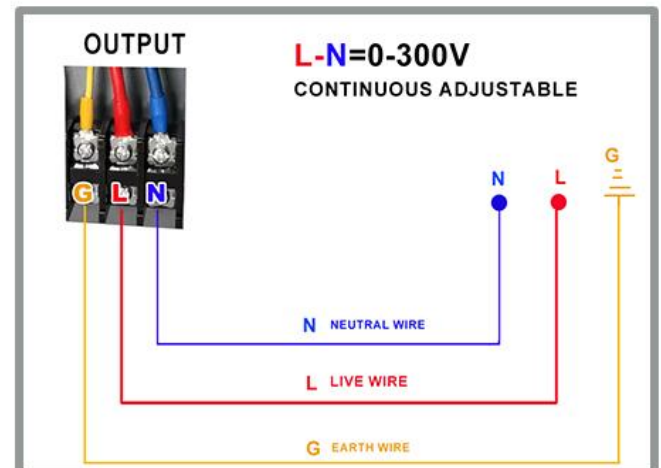
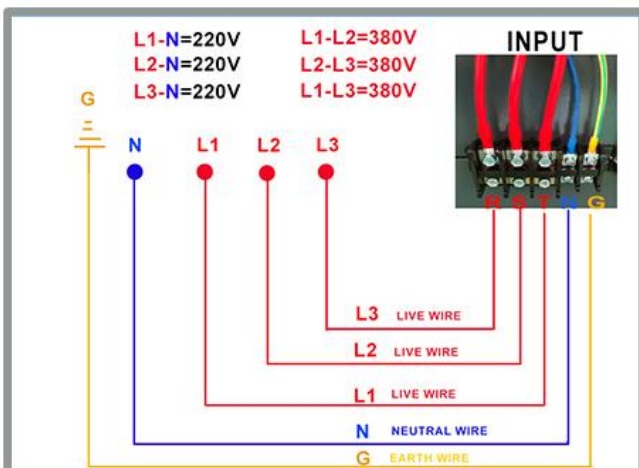


# 8

## Three-Phase 380VAC/450VAC Input, Single-Phase 0-300VAC OUTPUT

### INPUT Wire Connection

### OUTPUT Wire Connection

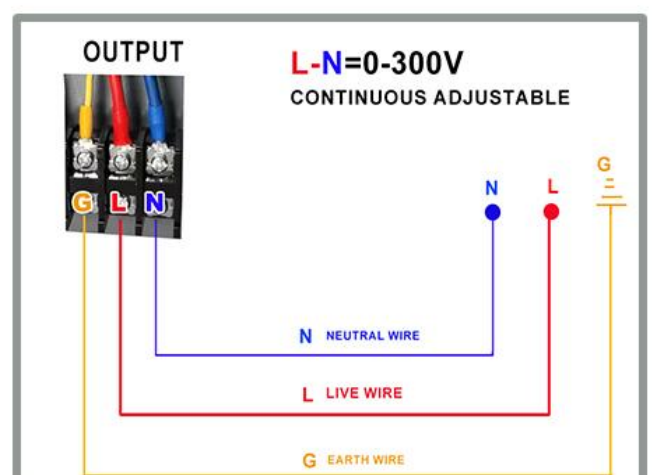
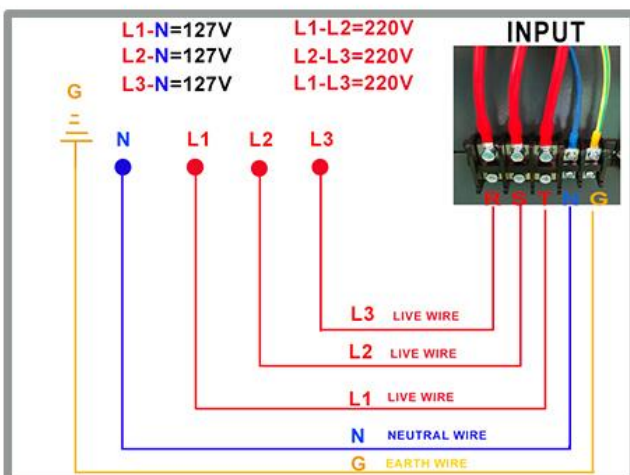


# 9

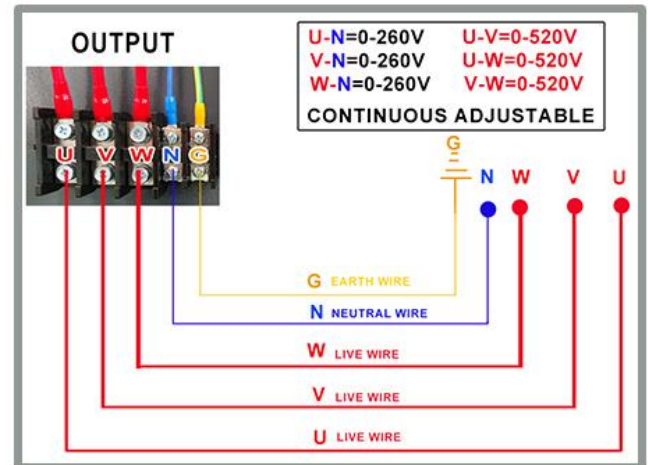
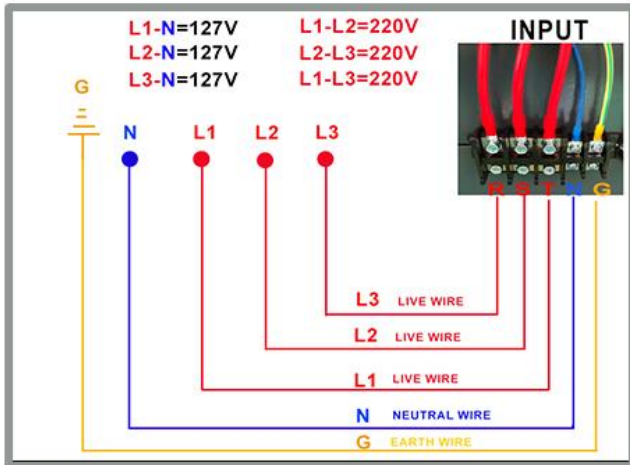
## Three-Phase 220VAC Input, Single-Phase 0-300VAC OUTPUT

### INPUT Wire Connection

### OUTPUT Wire Connection







Shenzhen Anzhiya technology Co., LTD.



WhatsApp



Wechat

Tel: +86-20-89282095

E-Mail: info@azyps.com

Website: <https://azyps.com>

Mobile/Whatsapp: +86-15876570341

Shenzhen Anzhiya Technology Co., Ltd. has achieved the rapid development of itself and many customers with high-quality products and services. We will use a humble and rigorous mentality, the concept of honesty and trustworthiness, reasonable prices, respecting promises and abiding by contracts, and ensuring product quality. Quality wins the trust of our customers.