









Frequency Converter

- Single Phase to Single Phase
- Three-Phase to Single Phase
- Single Phase to Three Phases
- Three-Phase to Three Phases

Shenzhen Anzhiya technology Co., LTD.



FEATURES

-  | Voltage Stability
-  | Frequency Stability
-  | Suitable For Aging Test
-  | Internal Resistance Equals Zero
-  | Adjustable Within a Certain Range
-  | The Voltage Waveform Is a Pure Sine Wave

Shenzhen Anzhiya Technology Co., Ltd. is headquartered in Guangming District, Shenzhen. It has been committed to the research, development, production and sales of test power supplies, test instruments and test equipment for more than ten years. Its products are widely used in household appliances, photoelectric lighting, electronic digital, power and electrical. , scientific research and education, energy vehicles, ships and railways, aerospace and other industries.

INFORMATION

1	The ultrahigh precision Frequency converter/Frequency Conversion Power Supply series is widely used in many kinds of professional fields.
2	Provide customers with a systematic solution to the power supply. the consideration of the electric environment, optimization of load collocation, matching of power supply selection, design of conforming to requirements, excelsior and highly efficient manufacture, timely and perfect maintenance, etc., all of which can fully meet customers' requirements.
3	Variable frequency power source outputs the alternating current of utility power as the pure sine wave by means of AC→DC→AC conversion. The output frequency and voltage are adjustable within a certain range.
4	AC power source is different from AC speed regulating controller used for motor speed regulation and common AC voltage stabilized power source.
5	The ideal AC power source features stabilized frequency, stabilized voltage, zero internal resistance, and pure sine wave voltage waveform (no distortion).
6	Variable frequency power source is very close to the ideal AC power source.
7	Therefore, the developed countries tend to use the variable frequency power source as the standard power source, so as to provide the electric devices the most excellent power-supplying environment, which is convenient to objectively test the technical performance of the electric devices.
8	The variable frequency power source mainly consists of two types: Linear Amplifying and SPWM Switching.

MAIN APPLCAITION

1	Engineering control
2	Scientific research
3	Charge of storage battery
4	Communication
5	Electric power DC screen system

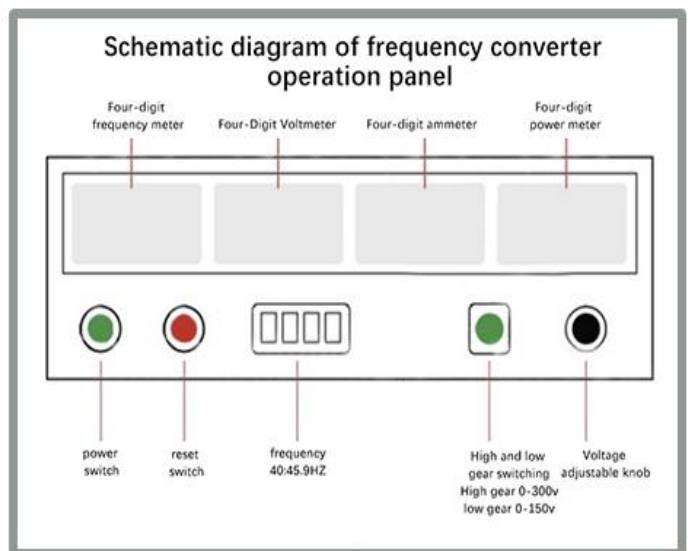
SPECIFICATION (IPS-FC63) 3-PHASES INPUT SINGLE PHASE OUTPUT

Model IPS-FC63	6303	6306	6310	6315	6320	6330	6345	6360	63100	63120	63400	63500	63600
Rated Capacity (KVA)	3	6	10	15	20	30	45	60	100	120	400	500	600
AC Input	Single phase 220V/50Hz,60Hz							Three phase 380V/50Hz,60Hz					
AC Output													
Phase	Three phase (phase difference 120°±2°)												
Output Frequency	40~499.9HZ can be setting												
AC Voltage Output													
Low Range	Phase voltage: 0V ~ 150V (line voltage: 0V ~ 260V)												
High Range	Phase voltage: 0V ~ 300V (line voltage: 0V ~ 520V)												
Max Current output													
0~150V	8.4A	16.8A	28A	42A	50A	84A	125A	168A	276A	336A	1112A	1400A	1667A
0~300V	4.2A	8.4A	14A	21A	25A	42A	63A	84A	138A	168A	556A	700A	833A
Frequency Stability Rate	≤±0.1%												
Load Stability Rate	±0.5%												
Waveform Distortion	≤±2% (resistance load)												
Response Time	≤2ms												
Indication Resolution													
Digit Frequency	4 digit resolution 0.1Hz										A、B、C phase can change optionally		
Digit Voltage	4 digit resolution 0.1V												
Digit Current	4 digit resolution: below 4A: 0.001A ; above 4A: 0.01A												
Digit Power	4 digit resolution 1W												
Protection	Input no fuse switch, output fuse switch, electronics circuit speed detect the over voltage, over current, over load, over temperature, short circuit and automatic jump protection and alarm.												
Cooling	Forced fan cooling												
Environment													
Operation Temperature	0°C ~ 45°C												
Relative Humidity	0 ~ 90% (non condensing)												
Working Temperature	0°C~45°C, Relative 0 ~ 90% (non-coagulation state)												
Dimensions (MM)	190* 305* 430	280* 450* 500	620* 320* 620	950* 560* 650	700* 1340* 1280	1700* 1750* 1000	1650* 850* 1090	1650* 800* 1200					
Weight(Kg)	30	35	45	60	78	140	170	280	650	1050	1250	1350	1450

1 Product & Factory Show Details

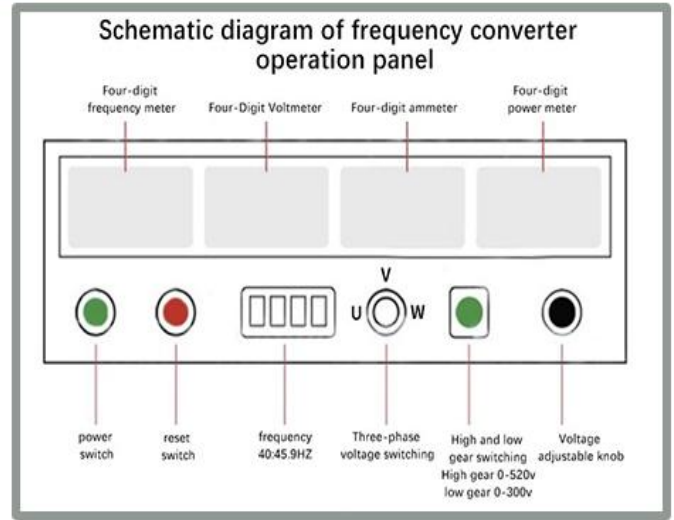


2 Product & Panel Show Details-Single Phase Output



3

Product & Panel Show Details-Three-Phase Output

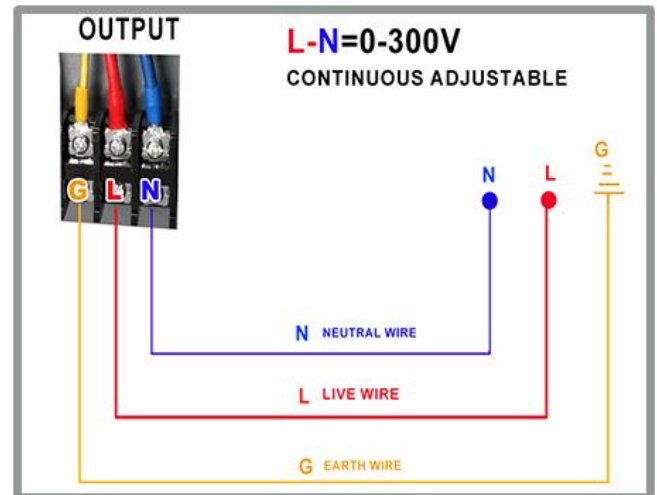
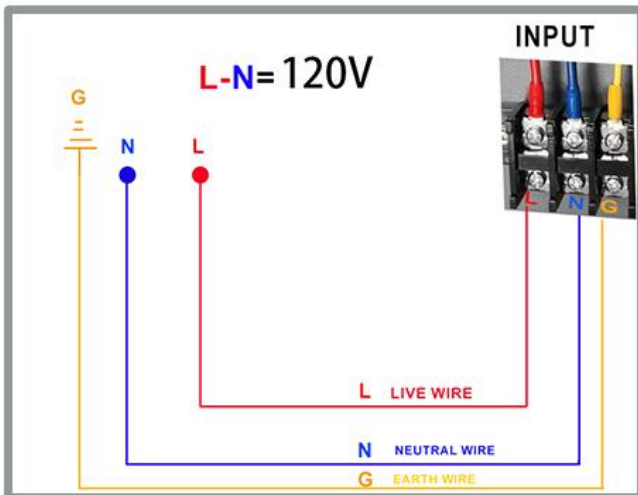


4

Single-Phase 120VAC Input, Single-Phase 0-300VAC OUTPUT

INPUT Wire Connection

OUTPUT Wire Connection

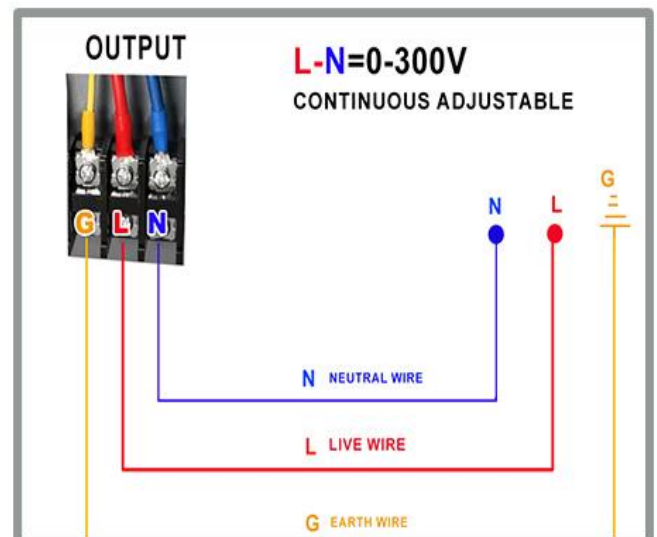
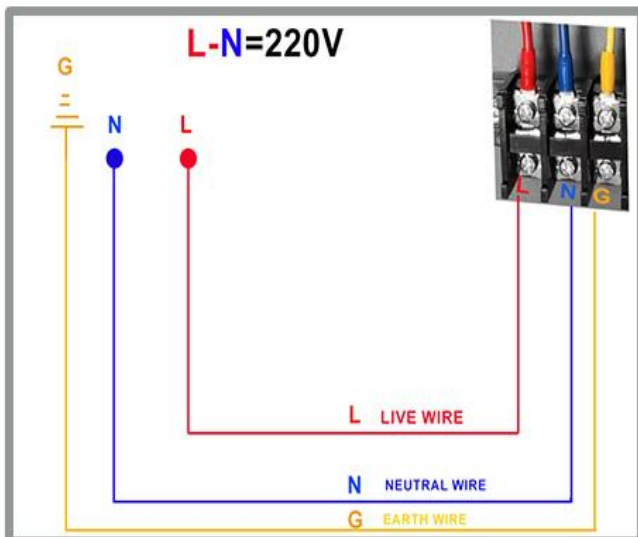


5

Single-Phase 220VAC Input, Single-Phase 0-300VAC OUTPUT

INPUT Wire Connection

OUTPUT Wire Connection

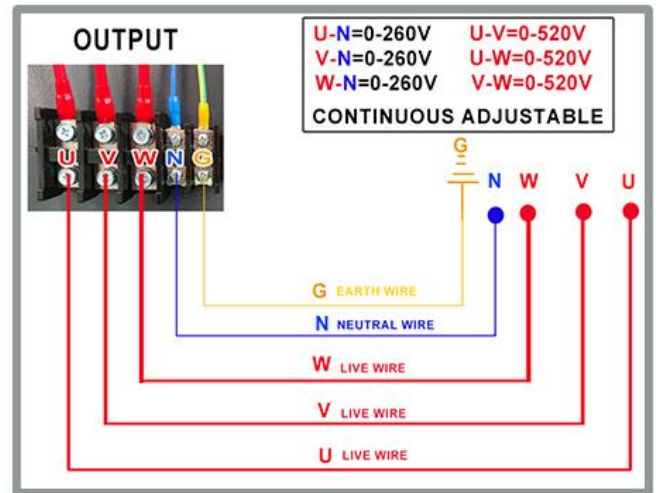
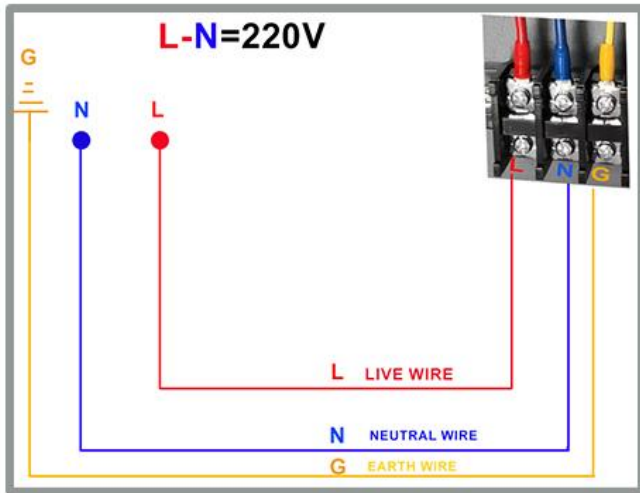


6

Single-Phase 220VAC Input, Three-Phase 0-520VAC Output

INPUT Wire Connection

OUTPUT Wire Connection

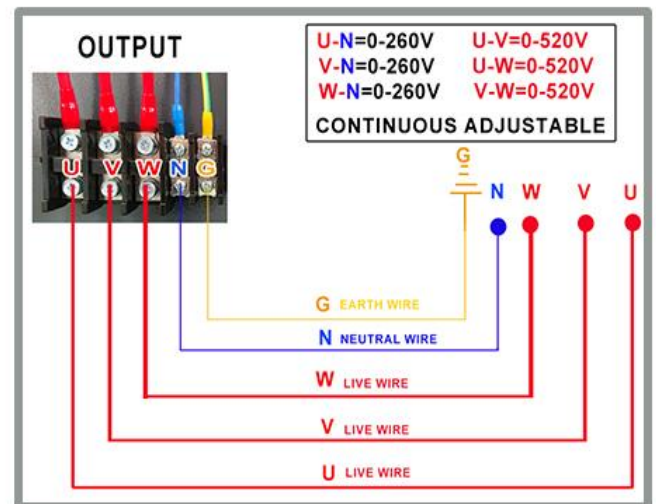
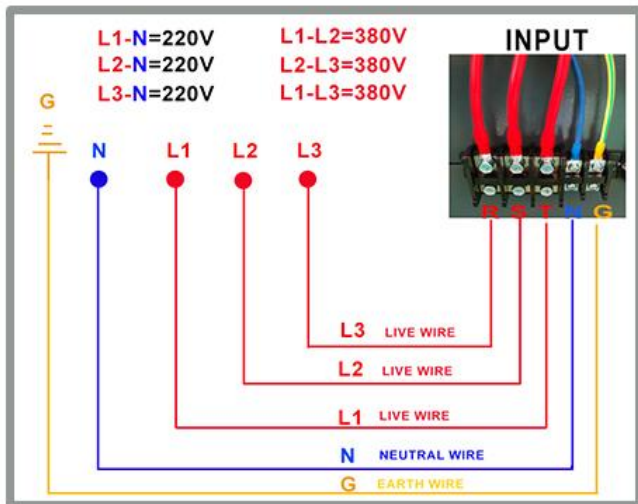


7

Three-Phase 380VAC/450VAC Input, Three-Phase 0-520VAC Output

INPUT Wire Connection

OUTPUT Wire Connection

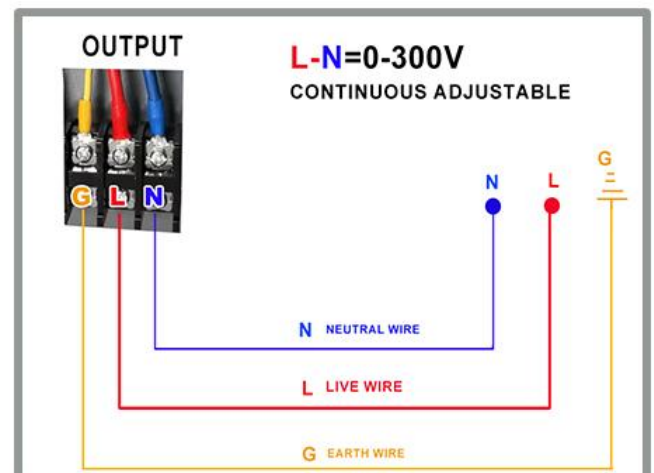
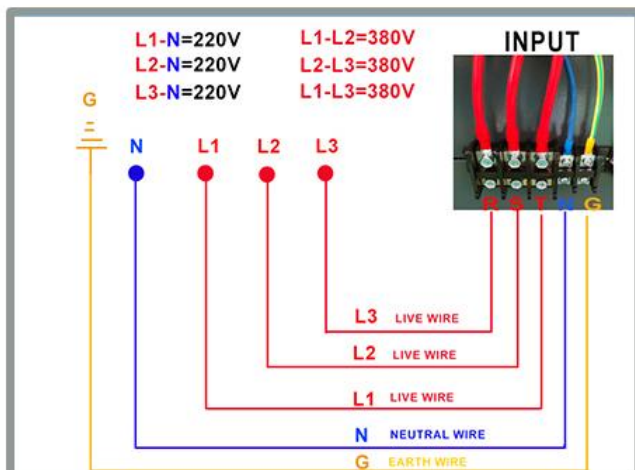


8

Three-Phase 380VAC/450VAC Input, Single-Phase 0-300VAC Output

INPUT Wire Connection

OUTPUT Wire Connection

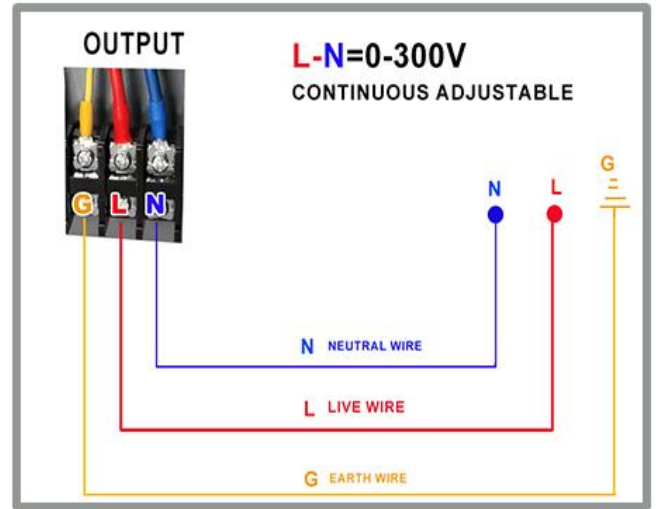
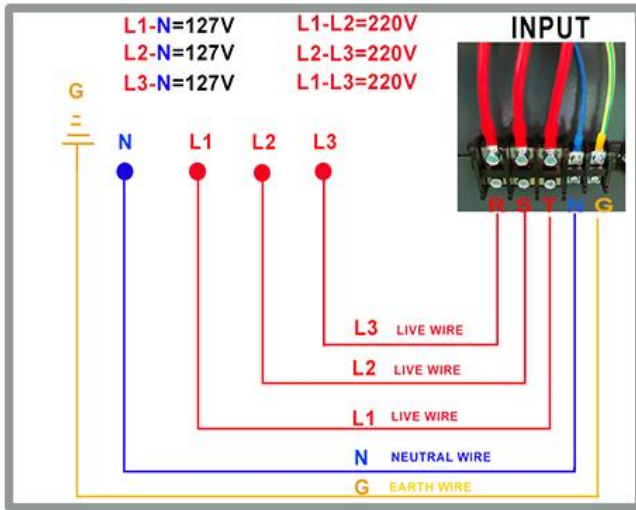


9

Three-Phase 220VAC INput, Single-Phase 0-300VAC OUTPUT

INPUT Wire Connection

OUTPUT Wire Connection

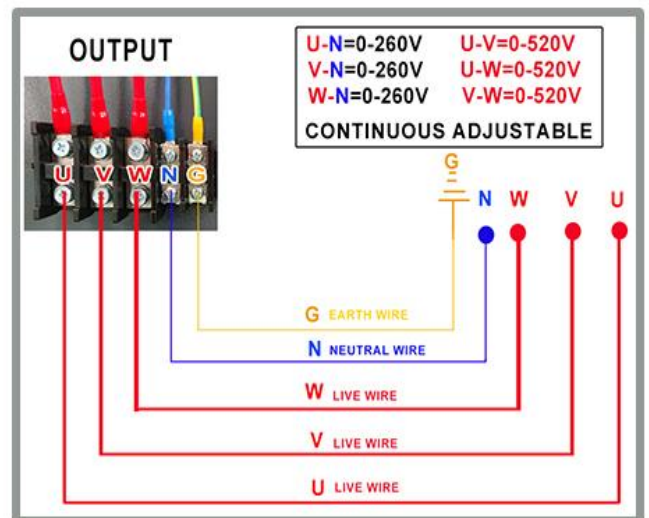
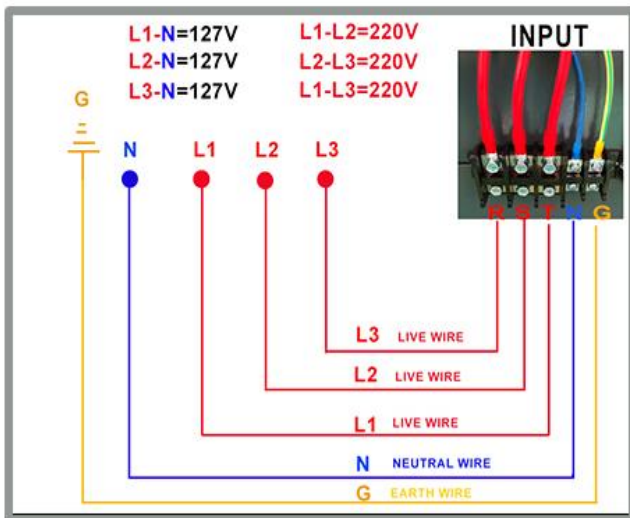


10

Three-Phase 220VAC Input, Three-Phase 0-520VAC OUTPUT

INPUT Wire Connection

OUTPUT Wire Connection



Shenzhen Anzhiya technology Co., LTD.



WhatsApp



Wechat

Tel: +86-20-89282095

E-Mail: info@azyps.com

Website: <https://azyps.com>

Mobile/Whatsapp: +86-15876570341