









# Frequency Converter

- Single Phase to Single Phase
- Three-Phase to Single Phase
- Single Phase to Three Phases
- Three-Phase to Three Phases

Shenzhen Anzhiya technology Co., LTD.



## FEATURES

-  | Voltage Stability
-  | Frequency Stability
-  | Suitable For Aging Test
-  | Internal Resistance Equals Zero
-  | Adjustable Within a Certain Range
-  | The Voltage Waveform Is a Pure Sine Wave

Shenzhen Anzhiya Technology Co., Ltd. is headquartered in Guangming District, Shenzhen. It has been committed to the research, development, production and sales of test power supplies, test instruments and test equipment for more than ten years. Its products are widely used in household appliances, photoelectric lighting, electronic digital, power and electrical. , scientific research and education, energy vehicles, ships and railways, aerospace and other industries.

## INFORMATION

1	The ultrahigh precision Frequency converter/Frequency Conversion Power Supply series is widely used in many kinds of professional fields.
2	Provide customers with a systematic solution to the power supply. the consideration of the electric environment, optimization of load collocation, matching of power supply selection, design of conforming to requirements, excelsior and highly efficient manufacture, timely and perfect maintenance, etc., all of which can fully meet customers' requirements.
3	Variable frequency power source outputs the alternating current of utility power as the pure sine wave by means of AC→DC→AC conversion. The output frequency and voltage are adjustable within a certain range.
4	AC power source is different from AC speed regulating controller used for motor speed regulation and common AC voltage stabilized power source.
5	The ideal AC power source features stabilized frequency, stabilized voltage, zero internal resistance, and pure sine wave voltage waveform (no distortion).
6	Variable frequency power source is very close to the ideal AC power source.
7	Therefore, the developed countries tend to use the variable frequency power source as the standard power source, so as to provide the electric devices the most excellent power-supplying environment, which is convenient to objectively test the technical performance of the electric devices.
8	The variable frequency power source mainly consists of two types: Linear Amplifying and SPWM Switching.

## MAIN APPLCAITION

1	Engineering control
2	Scientific research
3	Charge of storage battery
4	Communication
5	Electric power DC screen system

## SPECIFICATION (IPS-FC62) SINGLE-PHASE INPUT THREE-PHASE OUTPUT

Model (IPS-FC62)		6220	6230	6245	6260	62100	62120	621150	62200
Output capacity (KVA)		20	30	45	60	100	120	150	200
Rate power output(KW)		16	24	36	48	80	96	120	160
Circuit mode		IGBT/SPWM							
AC input		Three-phase 220V/50Hz or 60Hz							
AC output	Output Phase		3-phases 380V						
	Voltage	Low range	0~150V Adjustable						
		High range	0~300V adjustable						
	Frequency		40~499.9HZ can be setting						
	Max current	low-grade	168A	250 A	375 A	500 A	834 A	1000 A	1250 A
high-grade		84 A	125 A	188 A	250 A	417 A	500 A	625 A	834 A
Frequency stability rate		Frequency stability rate							
Load voltage stabilizing rate		Load voltage stabilizing rate							
Waveform distortion degree		Waveform distortion degree							
Response time		Response time							
Indication resolution	Digit frequency		4 digits display, resolution 0.1Hz						
	Digit voltage		4 digits virtual value display, resolution 0.1V						
	Digit current		4 digits virtual value display, resolution 0.01A						
	Digit power		4 digits virtual value display, resolution 1W						
Protection		Over voltage, over current, overload, over temperature and short-circuit, as well as automatic jump protection and alarm device							
Cooling		Forced fan cooling							
Working temperature		0°C~45°C,							
Environment humidity		Relative 0 ~ 90% ( non-coagulation state )							
Product Dimension(cm)		58*74*52		70*120*110		80*120*150		100*150*160	
Net weight (kg)		285	385	420	560	960	1150	1450	1900

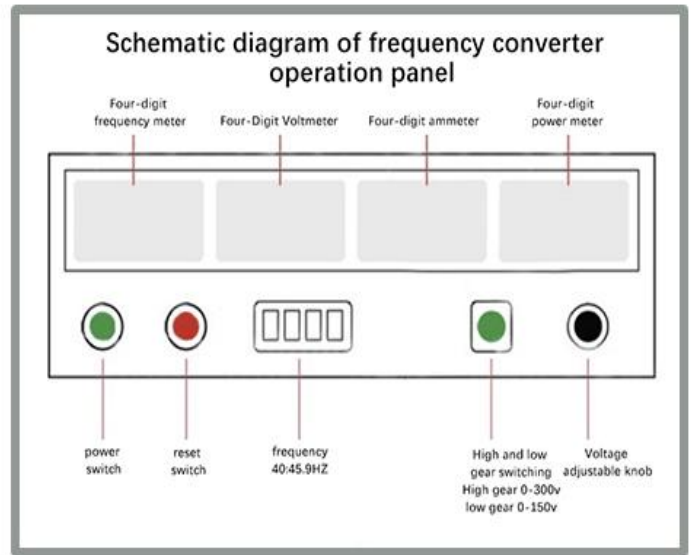
# 1

## Product & Factory Show Details

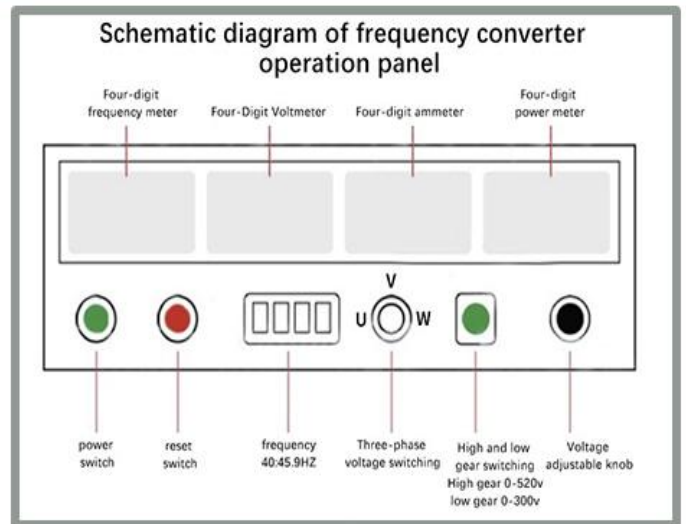




## 2 Product & Panel Show Details-Single Phase Output



## 3 Product & Panel Show Details-Three-Phase Output

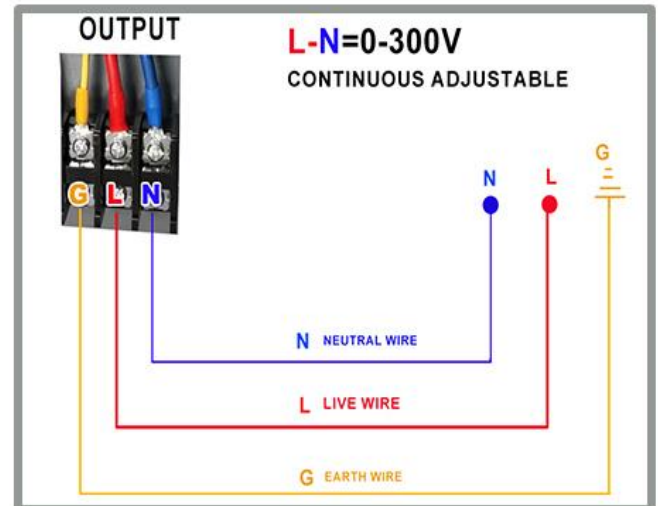
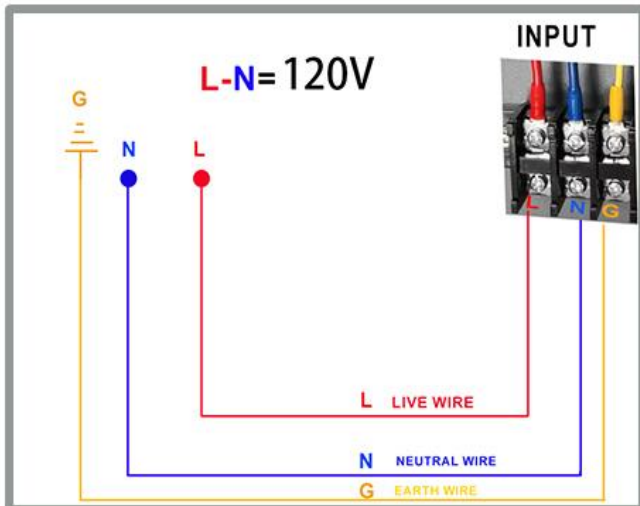


# 4

## Single-Phase 120VAC Input, Single-Phase 0-300VAC OUTPUT

INPUT Wire Connection

OUTPUT Wire Connection

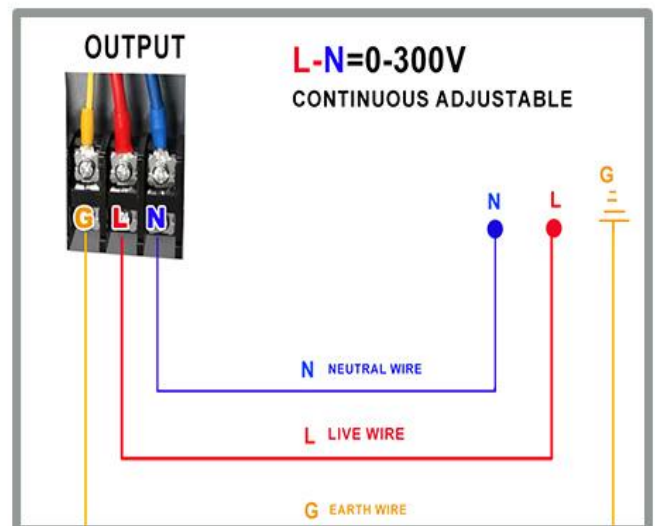
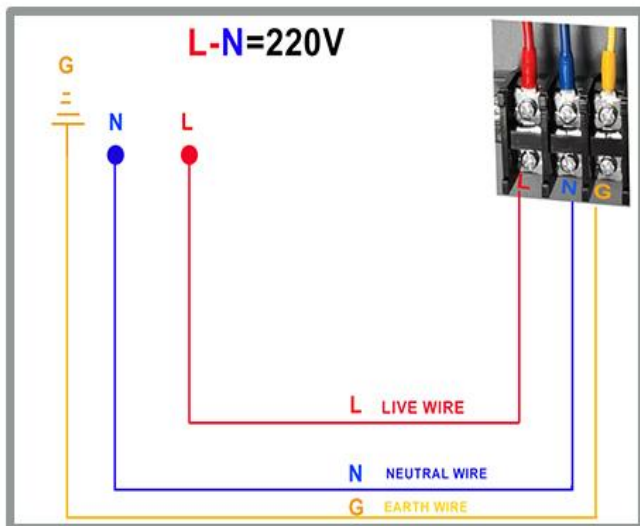


# 5

## Single-Phase 220VAC Input, Single-Phase 0-300VAC OUTPUT

INPUT Wire Connection

OUTPUT Wire Connection

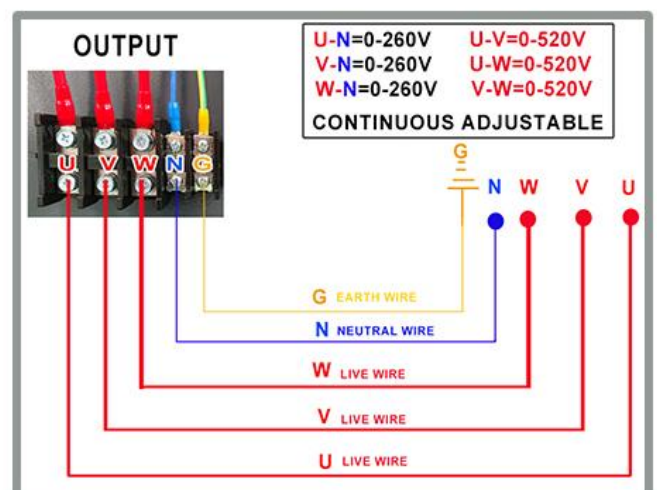
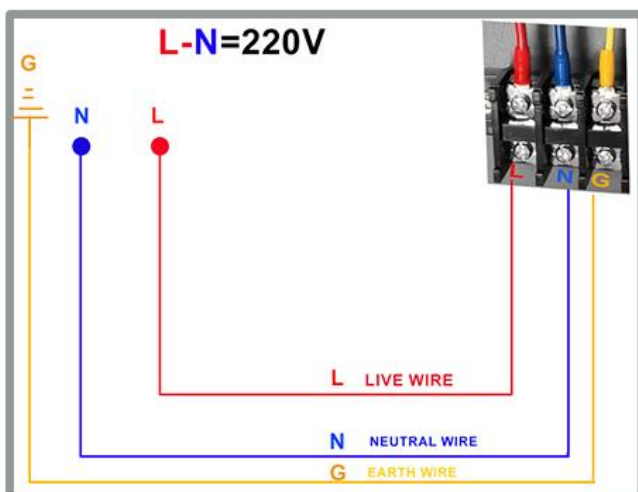


# 6

## Single-Phase 220VAC Input, Three-Phase 0-520VAC OUTPUT

INPUT Wire Connection

OUTPUT Wire Connection

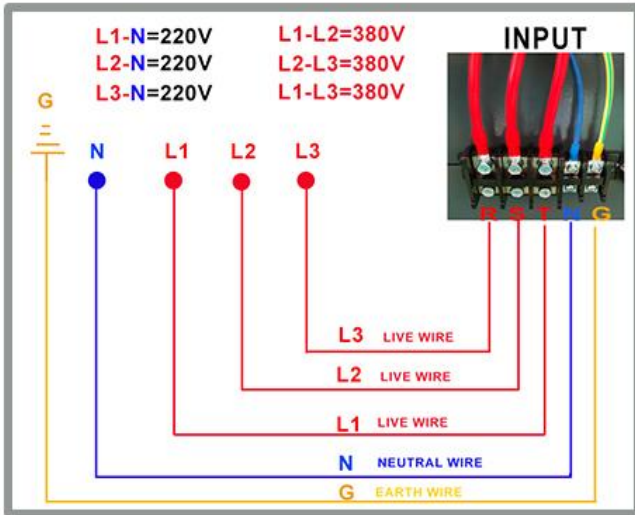


# 7

## Three-Phase 380VAC/450VAC Input, Three-Phase 0-520VAC OUTPUT

INPUT Wire Connection

OUTPUT Wire Connection

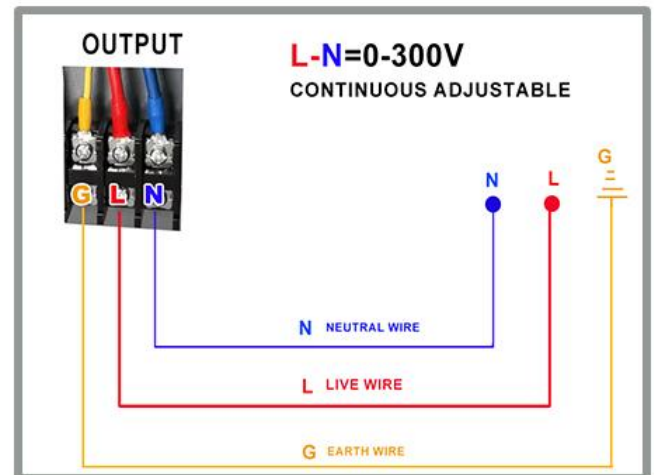
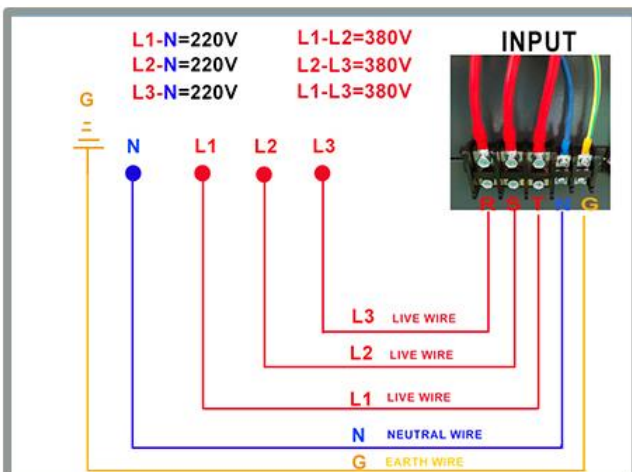


# 8

## Three-Phase 380VAC/450VAC Input, Single-Phase 0-300VAC OUTPUT

INPUT Wire Connection

OUTPUT Wire Connection

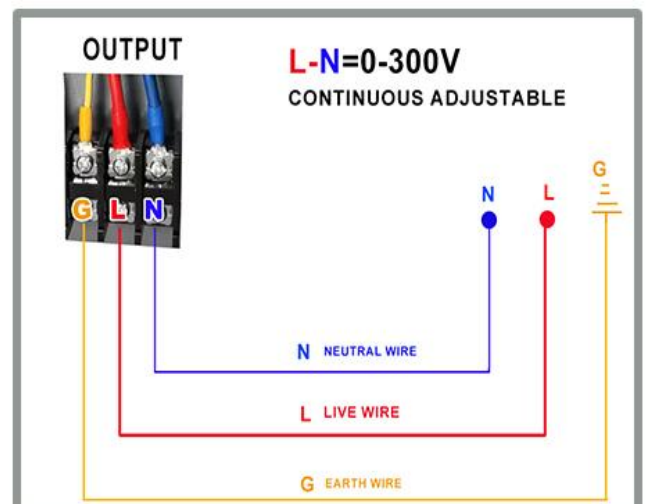
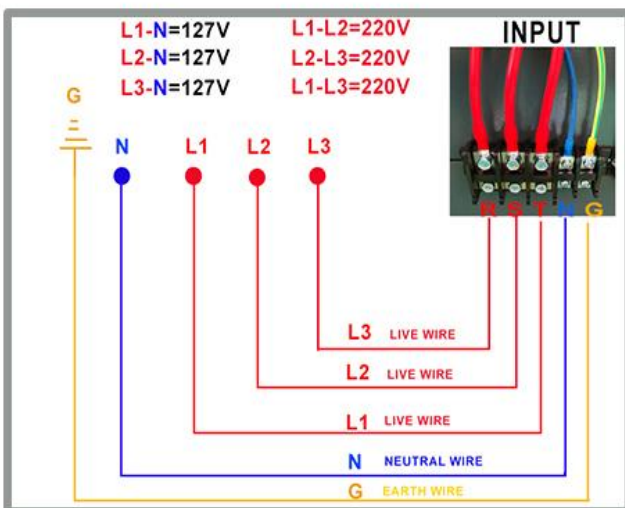


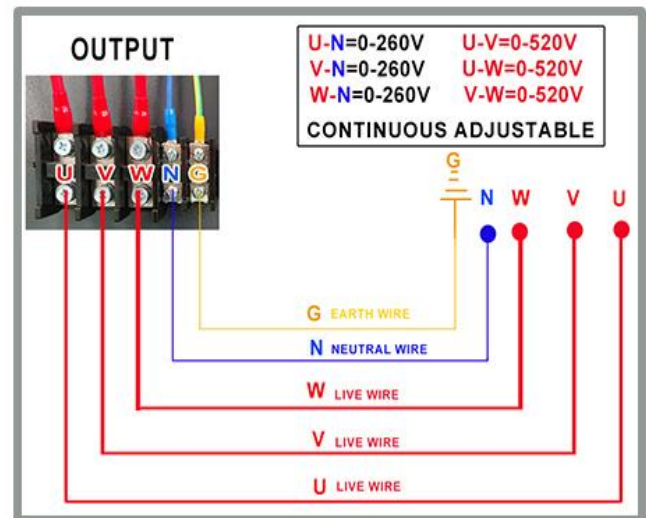
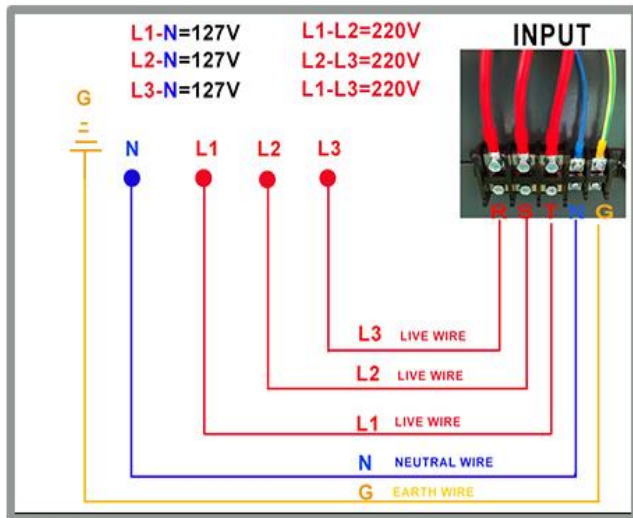
# 9

## Three-Phase 220VAC Input, Single-Phase 0-300VAC OUTPUT

INPUT Wire Connection

OUTPUT Wire Connection





Shenzhen Anzhiya technology Co., LTD.



WhatsApp



Wechat

Tel: +86-20-89282095

E-Mail: [info@azyps.com](mailto:info@azyps.com)

Website: <https://azyps.com>

Mobile/Whatsapp: +86-15876570341

Shenzhen Anzhiya Technology Co., Ltd. has achieved the rapid development of itself and many customers with high-quality products and services. We will use a humble and rigorous mentality, the concept of honesty and trustworthiness, reasonable prices, respecting promises and abiding by contracts, and ensuring product quality. Quality wins the trust of our customers.