









# Frequency Converter

- Single Phase to Single Phase
- Three-Phase to Single Phase
- Single Phase to Three Phases
- Three-Phase to Three Phases

Shenzhen Anzhiya technology Co., LTD.



## FEATURES

-  | Voltage Stability
-  | Frequency Stability
-  | Suitable For Aging Test
-  | Internal Resistance Equals Zero
-  | Adjustable Within a Certain Range
-  | The Voltage Waveform Is a Pure Sine Wave

Shenzhen Anzhiya Technology Co., Ltd. is headquartered in Guangming District, Shenzhen. It has been committed to the research, development, production and sales of test power supplies, test instruments and test equipment for more than ten years. Its products are widely used in household appliances, photoelectric lighting, electronic digital, power and electrical. , scientific research and education, energy vehicles, ships and railways, aerospace and other industries.

## INFORMATION

1	The ultrahigh precision Frequency converter/Frequency Conversion Power Supply series is widely used in many kinds of professional fields.
2	Provide customers with a systematic solution to the power supply. the consideration of the electric environment, optimization of load collocation, matching of power supply selection, design of conforming to requirements, excelsior and highly efficient manufacture, timely and perfect maintenance, etc., all of which can fully meet customers' requirements.
3	Variable frequency power source outputs the alternating current of utility power as the pure sine wave by means of AC→DC→AC conversion. The output frequency and voltage are adjustable within a certain range.
4	AC power source is different from AC speed regulating controller used for motor speed regulation and common AC voltage stabilized power source.
5	The ideal AC power source features stabilized frequency, stabilized voltage, zero internal resistance, and pure sine wave voltage waveform (no distortion).
6	Variable frequency power source is very close to the ideal AC power source.
7	Therefore, the developed countries tend to use the variable frequency power source as the standard power source, so as to provide the electric devices the most excellent power-supplying environment, which is convenient to objectively test the technical performance of the electric devices.
8	The variable frequency power source mainly consists of two types: Linear Amplifying and SPWM Switching.

## MAIN APPLCAITION

1	Engineering control
2	Scientific research
3	Charge of storage battery
4	Communication
5	Electric power DC screen system

## SPECIFICATION (IPS-FC61) SINGLE-PHASE INPUT SINGLE-PHASE OUTPUT

Model (IPS-FC61)		61005	6101	6102	6103	6105	6106	6110	6115	
Output capacity (KVA)		0.5	1	2	3	5	6	10	15	
Rate power output(KW)		0.4	0.8	1.6	2.4	4	4.8	8	12	
Circuit mode		IGBT/SPWM								
AC input		Single-phase 220V/50Hz or 60Hz								
AC output	Output Phase		Single-phase 220V							
	Voltage	Low range	0~150V Adjustable							
		High range	0~300V adjustable							
	Frequency		40~499.9HZ can be setting							
	Max current	low-grade	4.2A	8.4 A	17 A	25 A	42 A	50 A	84 A	125 A
high-grade		2.1 A	4.2 A	8.4 A	12.5	21 A	25 A	42 A	63 A	
Frequency stability rate		Frequency stability rate								
Load voltage stabilizing rate		Load voltage stabilizing rate								
Waveform distortion degree		Waveform distortion degree								
Response time		Response time								
Indicat ion resolut ion	Digit frequency		4 digits display, resolution 0.1Hz							
	Digit voltage		4 digits virtual value display, resolution 0.1V							
	Digit current		4 digits virtual value display, resolution 0.01A							
	Digit power		4 digits virtual value display, resolution 1W							
Protection		Over voltage, over current, overload, over temperature and short-circuit, as well as automatic jump protection and alarm device								
Cooling		Forced fan cooling								
Working temperature		0°C~45°C,								
Environment humidity		Relative 0 ~ 90% ( non-coagulation state )								
Product Dimension(cm)		43*18*44		43*18*47		43*65*52		55*74*52		
Net weight (kg)		26	32	37	48	63	80	145	175	

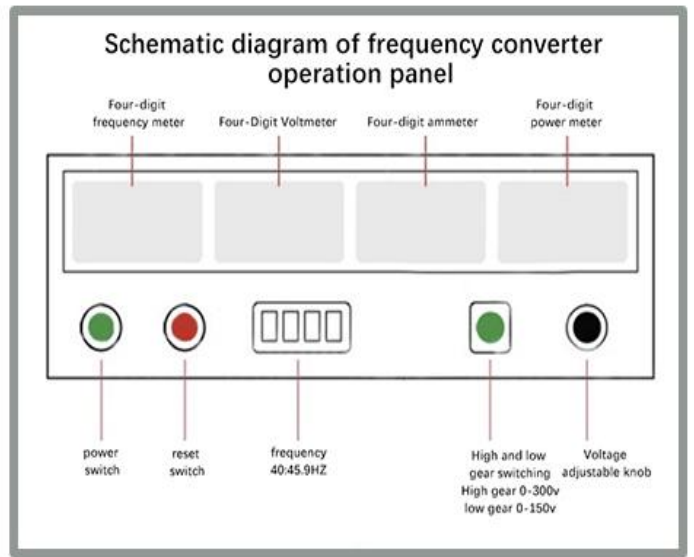
# 1

## Product & Factory Show Details

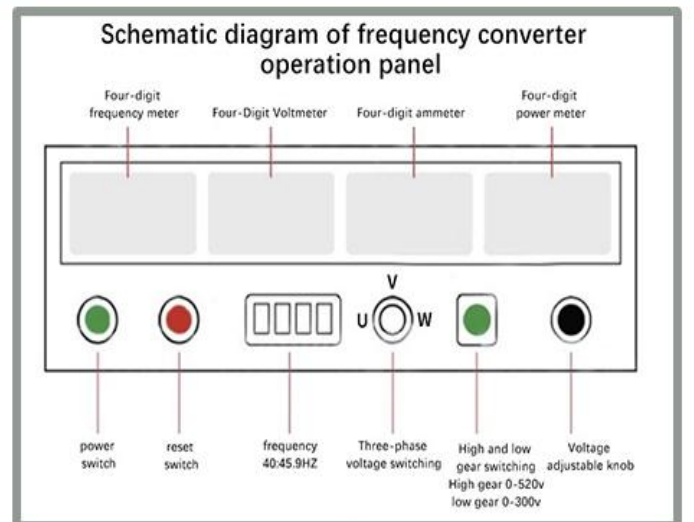




## 2 Product & Panel Show Details-Single Phase Output



## 3 Product & Panel Show Details-Three-Phase Output

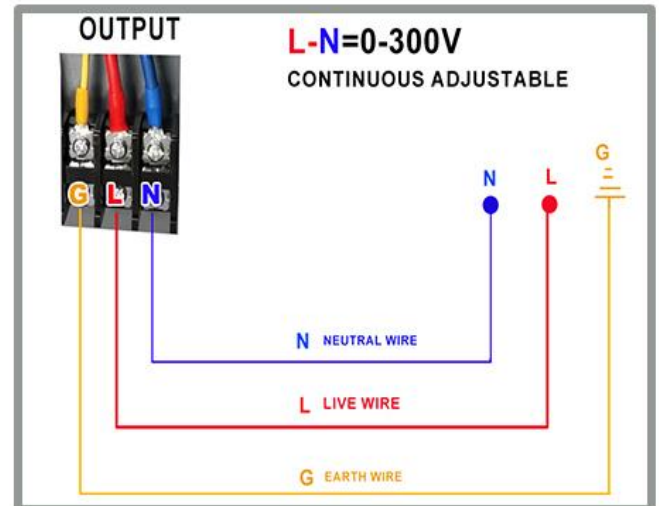
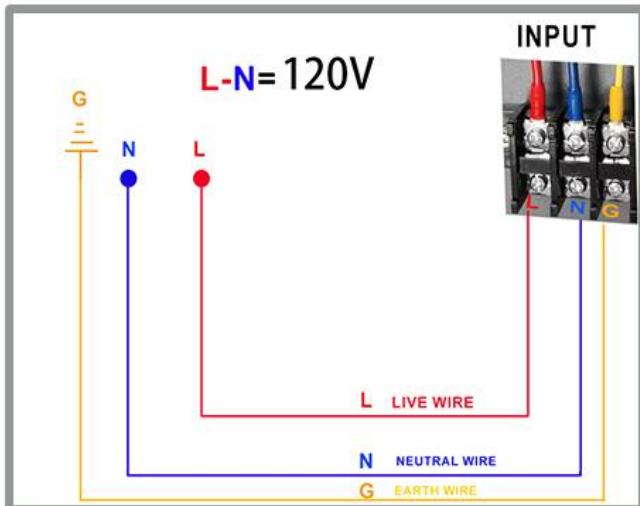


# 4

## Single-Phase 120VAC Input, Single-Phase 0-300VAC OUTPUT

INPUT Wire Connection

OUTPUT Wire Connection

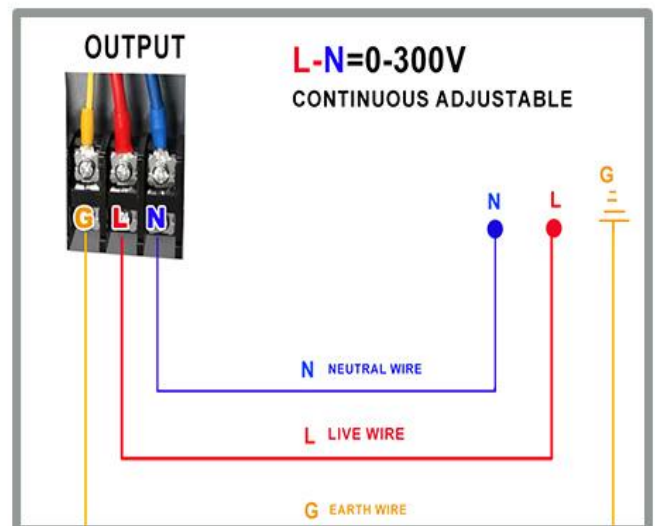
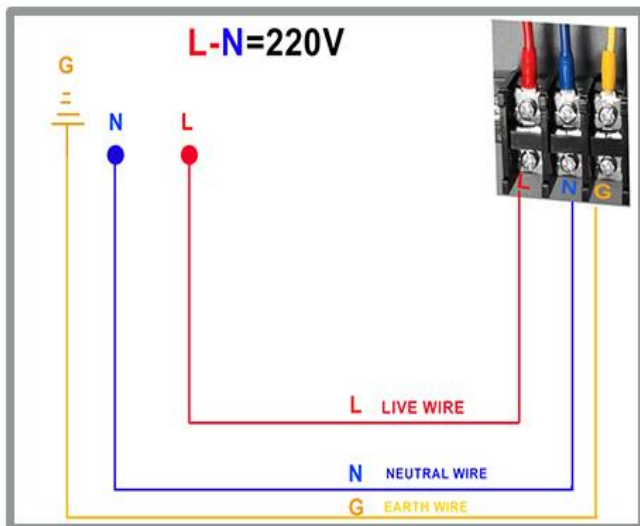


# 5

## Single-Phase 220VAC Input, Single-Phase 0-300VAC OUTPUT

INPUT Wire Connection

OUTPUT Wire Connection

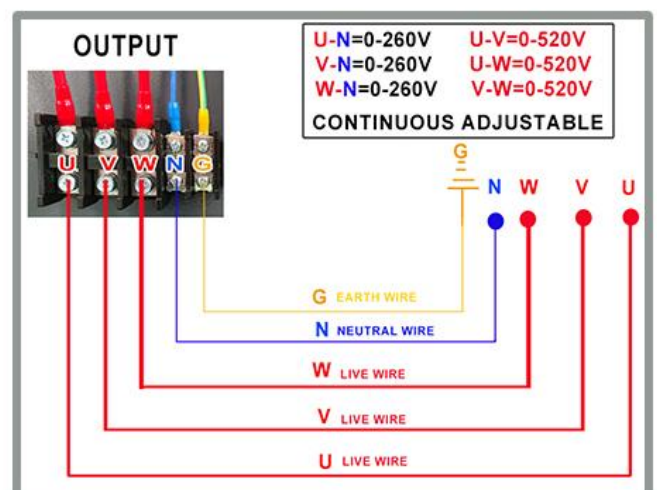
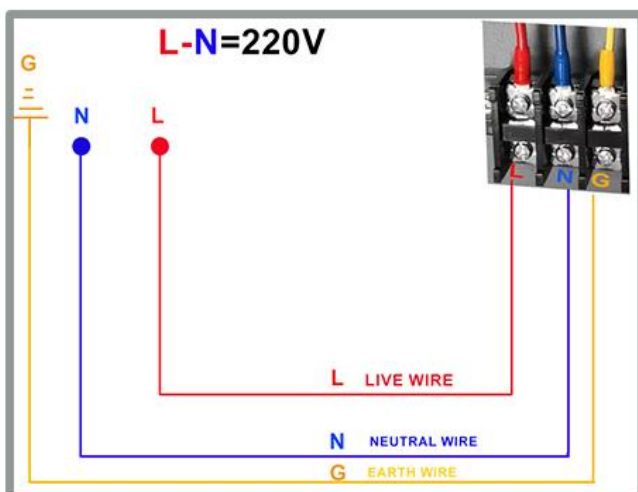


# 6

## Single-Phase 220VAC Input, Three-Phase 0-520VAC OUTPUT

INPUT Wire Connection

OUTPUT Wire Connection

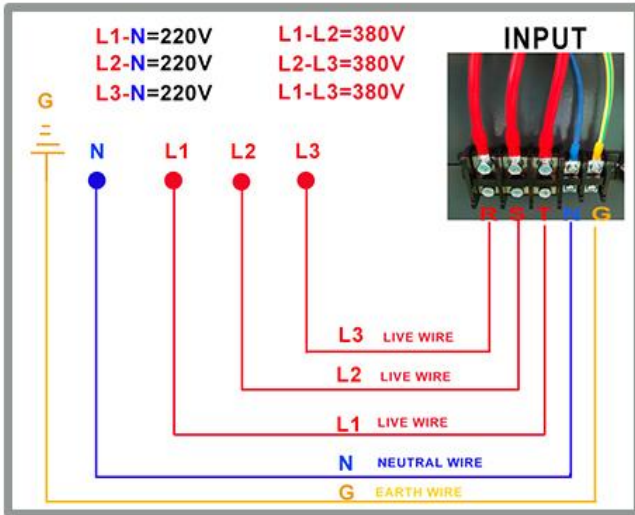


# 7

## Three-Phase 380VAC/450VAC Input, Three-Phase 0-520VAC OUTPUT

### INPUT Wire Connection

### OUTPUT Wire Connection

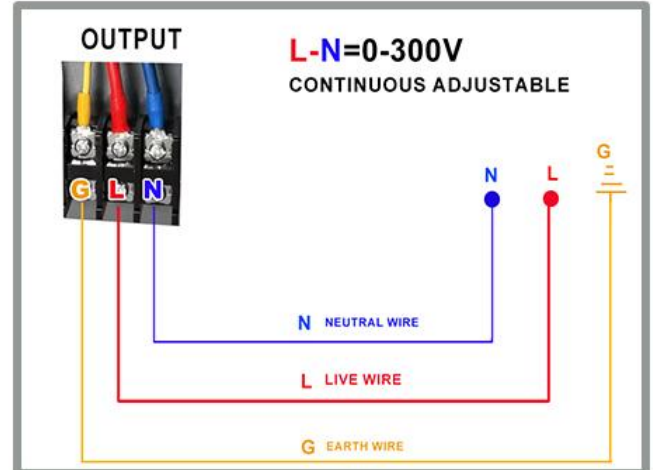
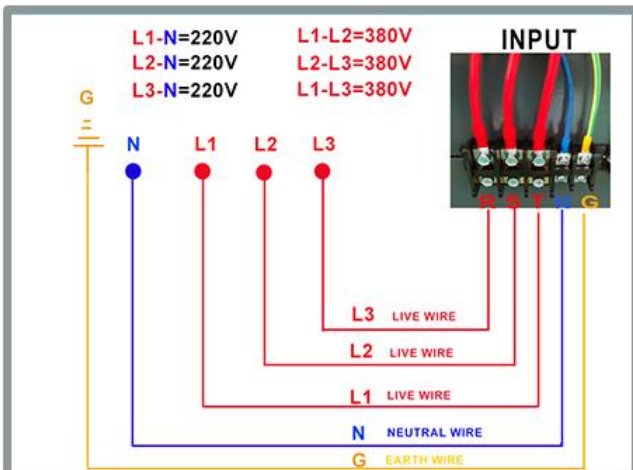


# 8

## Three-Phase 380VAC/450VAC Input, Single-Phase 0-300VAC OUTPUT

### INPUT Wire Connection

### OUTPUT Wire Connection

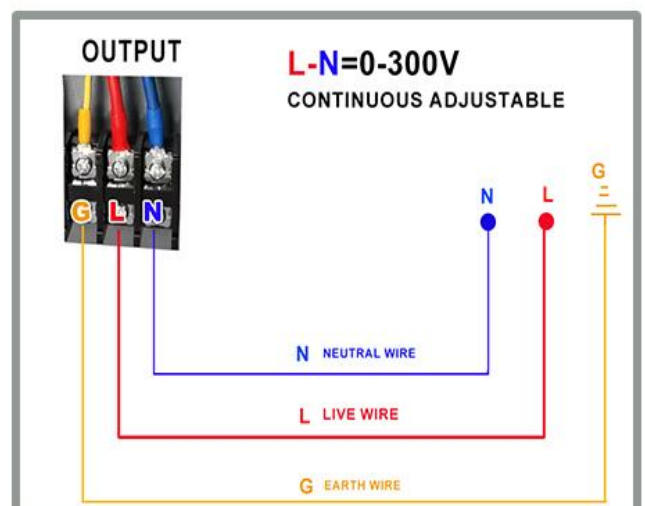
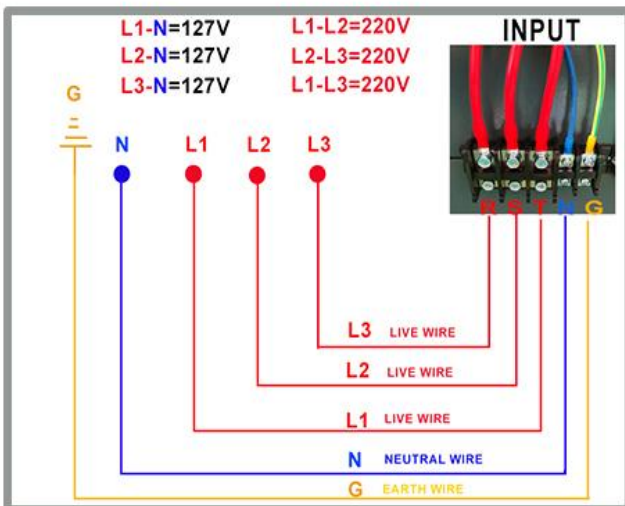


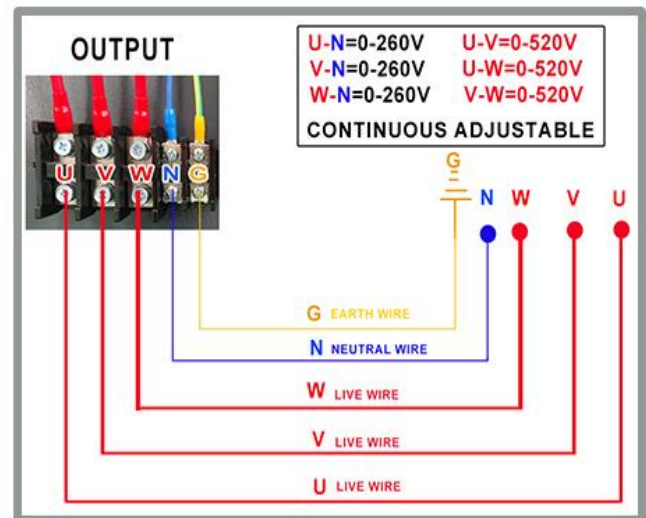
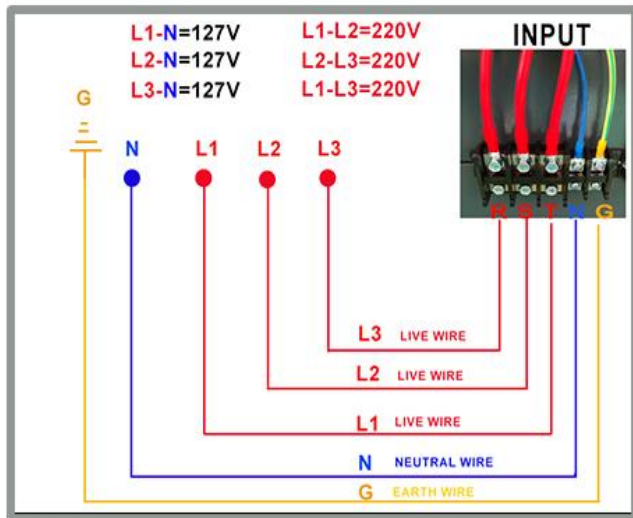
# 9

## Three-Phase 220VAC Input, Single-Phase 0-300VAC OUTPUT

### INPUT Wire Connection

### OUTPUT Wire Connection





Shenzhen Anzhiya technology Co., LTD.



WhatsApp



Wechat

Tel: +86-20-89282095

E-Mail: [info@azyps.com](mailto:info@azyps.com)

Website: <https://azyps.com>

Mobile/Whatsapp: +86-15876570341

Shenzhen Anzhiya Technology Co., Ltd. has achieved the rapid development of itself and many customers with high-quality products and services. We will use a humble and rigorous mentality, the concept of honesty and trustworthiness, reasonable prices, respecting promises and abiding by contracts, and ensuring product quality. Quality wins the trust of our customers.